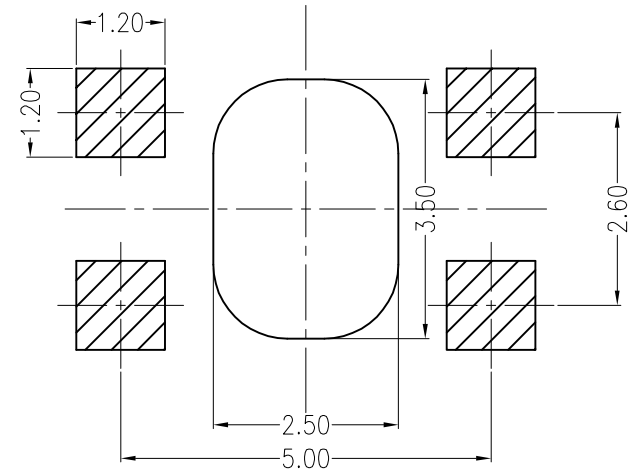
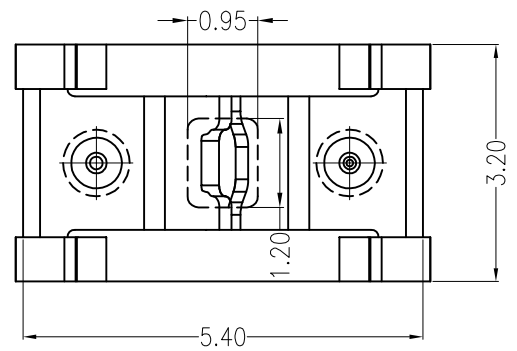
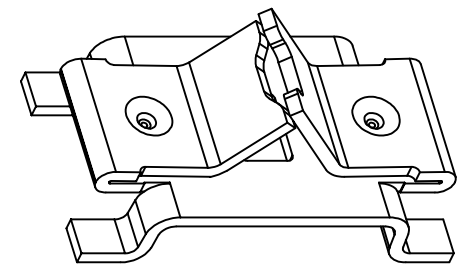
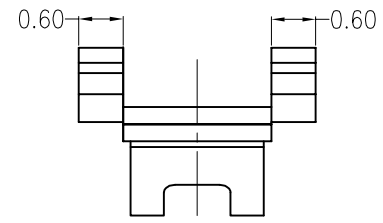
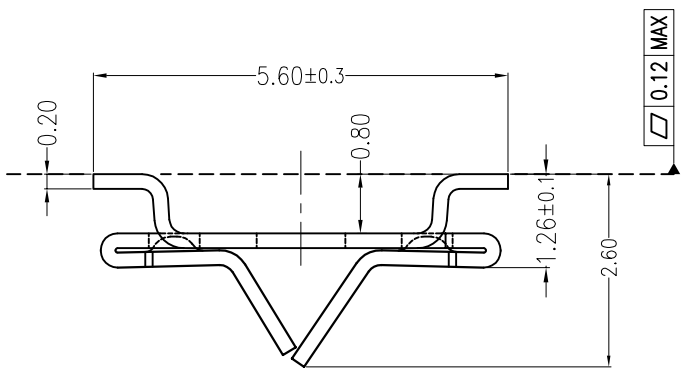


REV	ECN No.	DESCRIPTION	DESIGN	DATE
BO		Release	田峰	2017.08.31
-			-	-



主要技术参数 Main Specifications

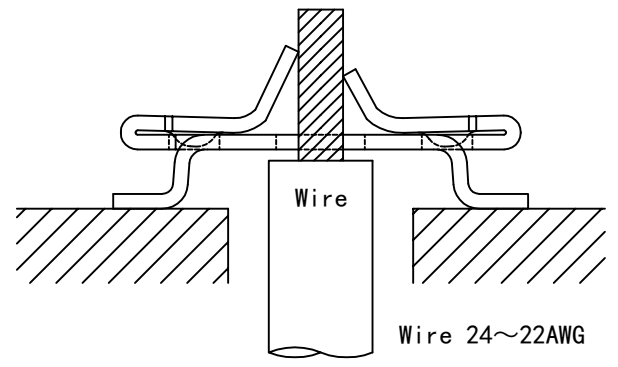
线 数 (Poles): 01
 接触电阻 (Contact resistance): $\leq 20m\Omega$
 额定电压 (Rated voltage): 250 V AC DC
 额定电流 (Rated current): 1.0A AC DC
 温度范围 (Temperature Range): $-45^{\circ}C \sim +125^{\circ}C$

ORDER INFORMATION:

L068K-01-000B1-R

PART No.:		PACKAGING:	R=REEL
No. FOR CIRCUITS:	01		P=PE
PLASTIC MATERIAL:	000=No plastic parts	METAL CODE:	1=PHOSPHORBRONZE
		PLATING:	B=MATTE Sn

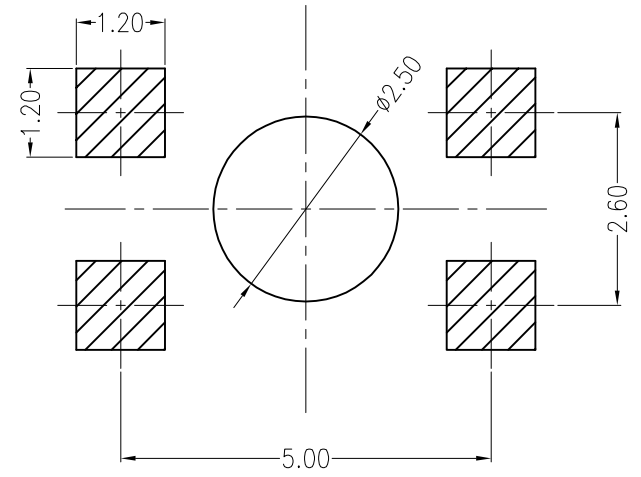
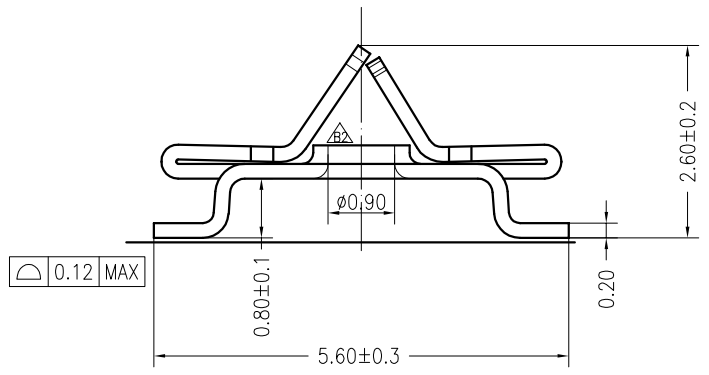
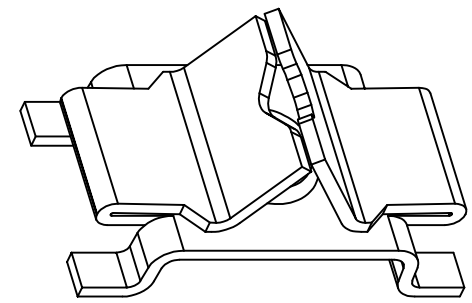
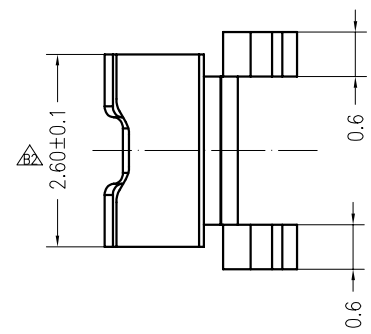
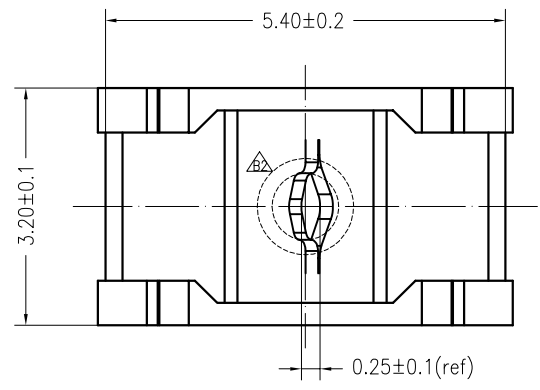
SUGGESTED PCB LAYOUT



Assembly Layout

ITEM	COMPONENT	Q'TY	MATERIAL	FINISH
A	CONTACT	1 PCS	PhosphorBronze	MATTE Sn-plated
东莞市高迪电子有限公司 DONG GUAN GAO DI ELECTRONICS CO., LTD				
X.±0.5	X.±5'	USE:	CUSTOMER	
.X±0.3	.X±2'	APPD:	邵敬和	
.XX±0.25	.XX±1'	CHKD:	田峰	
--	--	DR:	吴丹平	
UNITS: mm		DR:	吴丹平	
TITLE:			-	
PART NO.:			L068K-01-000B1-R	
DWG NO.:			GCCP-0405	
SCALE		SHEET		
1 : 1		1 / 1		

REV	ECN No.	DESCRIPTION	DESIGN	DATE
B0		Release	蒋建银	2018.04.18
B2		更改进线口形状为圆孔, 簧片内增加凸台, 宽度1.8位置改为2.6	蒋建银	2018.08.21



SUGGESTED PCB LAYOUT

主要技术参数 Main Specifications

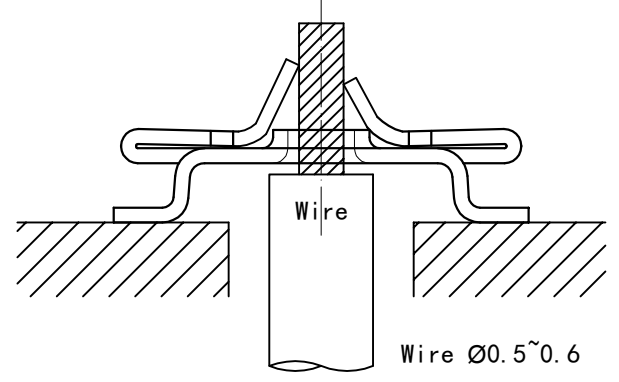
- 线数 (Poles): 01
- 接触电阻 (Contact resistance): ≤20mΩ
- 额定电压 (Rated voltage): 250 V AC DC
- 额定电流 (Rated current): 1.0A AC DC
- 温度范围 (Temperature Range): -45°C ~ +125°C

ORDER INFORMATION:

L068K-01-000B1-R-2

PART No. _____
 No. FOR CIRCUITS: _____
 01
 PLASTIC MATERIAL: _____
 000=No plastic parts

NO. 2: 无泡点
 PACKAGING:
 R=REEL
 P=PE
 METAL CODE:
 1=PHOSPHORBRONZE
 PLATING:
 B=MATTE Sn



Assembly Layout

C				
B				
A	CONTACT	1 PCS	PhosphorBronze	MATTE Sn-plated
ITEM	COMPONENT	Q'TY	MATERIAL	FINISH
东莞市高迪电子有限公司 DONG GUAN GAO DI ELECTRONICS CO., LTD		TITLE: -		
X.±0.5	X.±5'	USE:	PART NO.:	
.X±0.3	.X±2'	CUSTOMER	L068K-01-000B1-R-2	
.XX±0.25	.XX±1'	APPD:	DWG NO.:	
--	--	邵敬和	GCCP-1142	
		CHKD:	田峰	
		DR:	蒋建银	
	UNITS: mm		SCALE	SHEET
			1 : 1	1 / 1